

Full HD | In-Car DVR



KPT-700 User Manual

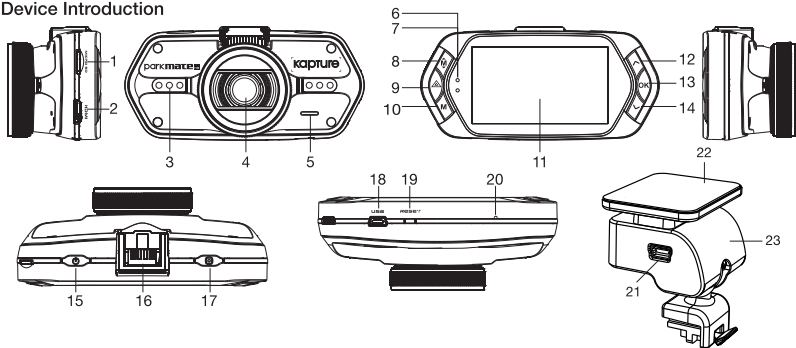
[kapture]

parkmate HD

Product Picture & Function	2
a) Device Introduction	2
b) Button Function	3
c) LED Light Status List	5
d) Product Accessories.....	5
Basic Operation	5
a) Micro SD Card Installation.....	5
b) Camera Holder Installation.....	6
c) Power Supply	6
d) G-sensor Function.....	8
e) Video Mode	9
f) Image Capture.....	10
g) Playback Mode.....	10
Menu Setting	12
a) Video Mode	12
b) Playback Mode.....	16
Connection	17
a) Connect to TV	17
b) Connect to Computer.....	17
Product Specification	18-19

Product Picture & Function

a) Device Introduction



1. Micro SD Card Slot

2. HDMI Port

3. LED Light

4. Lens

5. Speaker

6. Status Light (Blue)

7. Charging Light (Red)

8. Menu Button

9. File Protection Button

10. Mode Button

11. LCD Display

12. Up Button

13. OK Button

14. Down Button

15. Power Button

16. Holder Connector

17. Photo Button

18. USB Port

19. Reset Button

20. Microphone

21. Power Input

22. Interchangeable Mount


23. Camera Holder

b) Button Function

Power Button Press this button for 2~3 sec. to turn on/off the device.


Photo Button In video mode, at any time, press this button to take picture.
In playback mode, when replaying video, press this button to take picture of current video.

Menu Button Press this button during standby status or playback mode, menu list of current mode will appear.

During recoding, press this button to change the flash light status “”, “”, “”

File Protection Button

In video mode, during recording, press this button to set the recording video to be protected manually, so as to prevent it from being overwritten by loop recording.

In playback mode, press this button to lock or unlock the video file. When file protection is active, the icon “” will appear on LCD display.

Mode Button The DVR has two modes, video mode and playback mode.

Pressing this button during standby status switches the camera between video mode and playback mode.

When the DVR is recording, the Menu Button function is disabled.

Up Button In video mode, press this button to turn on/off LCD display. In menu setting, press this button to up item.

In playback mode, press this button to choose previous file.

In playback mode, when playing video file, press this button to reverse playback.

OK Button In video mode, press this button to start/stop recording.

In playback mode, press this button to play/pause video file.

In menu setting, press this button to confirm the menu setting.

Down Button In video mode, press this button to start/stop sound recording.

In menu setting, press this button to next item.

In playback mode, press this button to choose next file.

In playback mode, when playing video file, press this button to advance playback.

c) LED Light Status List

LED Light	Status	Meaning
Status Light (Blue)	Flash	DVR is Recording
	On	DVR is in standby or Playback Mode
	Off	DVR is off
Charging Light (Red)	On	Charging Battery
	Off	Charging finish

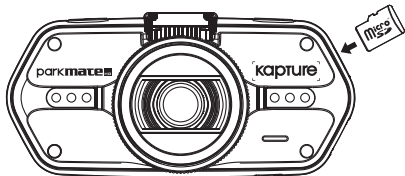
d) Product Accessories

1. Car DVR x1	2. Car Charger x1	3. Camera Holder x1	4. Suction Cup x1	5. Flat Mount x1
6. HDMI Cable x1	7. USB Cable x1	8. User's Manual x1		

Basic Operation

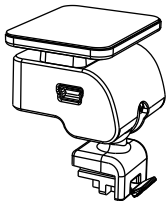
a) Micro SD Card Installation

Install the Micro SD Card into Micro SD Card Slot as picture shown.



b) Camera Holder Installation

Install the camera holder onto the DVR by sliding the camera holder (pictured) onto the main body of the camera, ensuring that it clicks in place. Although the picture shows the flat mount, there is also the option to remove the flat mount and replace with the supplied suction cup.



c) Power Supply

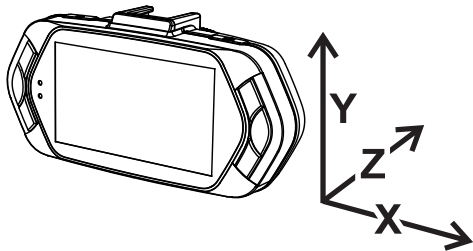
Connect car charger to DVR USB port and insert the charger in your car cigarette lighter charging port, start your engine, the DVR will automatically power on and start recording.

Note: There are two Mini USB ports, one is on the DVR, another is on the Camera Holder.

d) G-sensor Function

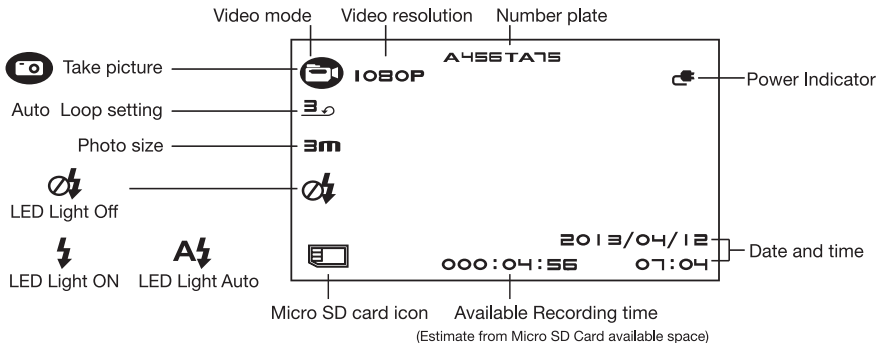
When a collision occurs, the Gravity Sensor (G Sensor) records the direction and exact data of the collision. According to the G sensor sensitivity setting, the DVR will determine whether to set the currently recording video to protection mode or not, which will ensure the current video is protected from being overwritten by loop recording.

G-Sensor direction is as per the following image.

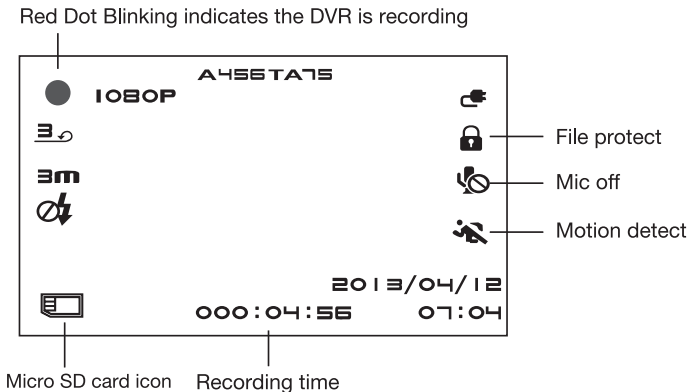


e) Video Mode

In video mode, in standby status, LCD display will be shown as below:



In video mode, in recording status, LCD display will be shown as below:



f) Image Capture

In video mode, at any time, press photo button to capture an image.

In playback mode, when video is playing, press photo button to take snapshot of current video.

g) Playback Mode

Press Mode Button to enter playback mode, then press Menu Button to choose preview video/picture file in outer card or inner card. Use the direction button to control playback operation.

Preview in six grids	
Up Button	Previous file
Down Button	Next file
OK Button	Confirm
Menu Button	Enter menu list (in this menu setting, “copy to another card” means you can copy files from the “Outer Card” (Micro SD) to “Inner Card” (Internal Memory) or copy files from “Inner Card” (Internal Memory) to “Outer Card” Micro SD.
File Protection Button	Lock / Unlock Video / Picture file
Mode Button	Change mode

Play	
OK Button	Play / Pause
Menu Button	Delete menu
File Protection Button	Lock / Unlock video file
Mode Button	Back to six grids preview
Photo Button	Take snapshot of current video

Menu Setting

The DVR has two modes, Video Mode and Playback Mode.

a) In Video Mode *(Please refer to pages 4 & 5 for button functions)*

Video	Menu Item	Remark
Video Resolution	1080P / 720P	Set Video Resolution
Photo Size	0.9M / 2M / 3M / 3.7M	Set Picture Resolution
Loop Setting	Off / 1 min / 3 min / 5 min	Set Loop Recording Time
Motion Detect	Off / On	Set Motion Detection or not
Sensor Flip	Off / On	If setting is on, the menu and image is flipped vertically 180° degrees. This feature also allows you to install the DVR upside down to suit your requirements.

Effect	Menu Item	Remark
Flicker	50HZ / 60HZ	If your local AC power frequency is 50Hz, please select 60Hz.
Auto Exposure	Auto / Landscape / Portrait / Sports / Night Scene	This setting can be selected to allow shooting to be more conformed to the surroundings and achieve optimum shooting effect. Select [AUTO] to allow the DVR to choose the setting automatically.
AE ISO	Auto / 100 / 200 / 400	According to the brightness during shooting, selecting [AUTO] can set optimum ISO sensitivity.
White Balance	Auto / Sunny / Cloudy / Fluorescent / Incandescent	Selecting [AUTO] under normal circumstances will set the white balance. If [AUTO] mode does not produce natural colours, please manually change the White Balance setting according to the appropriate light conditions.
Sharpness	Standard / Hard / Soft	Sharpness means the significant degree of contour image during shooting. The higher the sharpness, the more obvious the contour image of characters and scene, it is very useful for face recognition during driving recording.
AE Bias	- 2 / -1.7/ -1.3 / -1/ - 0.7/ - 0.3/0/0.3/0.7/1/1.3/1.7/2	This value set to "+" side, the device would brighten video to avoid under-exposure. If this value set to "-" side, the device would darken video to avoid over exposure.
Quality	Super Fine / Fine / Normal	Higher Quality, more detail in the video recording, video file size will be bigger.

Setup	Menu Item	Remark
Auto Power Off	Off / 1min / 3min / 5min	When this item is set and the device is in standby mode, if no operation to device, after setting time, device will automatically shut off.
Power Off Screen	Off / 30s / 1min / 3min	When this item is set, if no operation to device, the screen will shut off after setting time and enter sleep mode; pressing any button will wake up the screen.
Time Setup	Time Setup	Setting time and time zone. Note: Please set your area time zone according to Greenwich Mean Time. Eg Melbourne, Australia is GMT +10, so set value to +10 if you live in Melbourne.
Time Setup	On / Off	To set the time stamp on Video.
Velocity Stamp	On / Off	To set the speed stamp on Video.
Driver Num Stamp	On / Off	To record and display your car's number plate on the Video.
Driver Number		To set your car's number plate.
G-sensor X Sensitivity	Close / Low / Middle / High	To set the X Y Z Axis G-sensor sensitivity. The Higher the value, the more sensitive the G-sensor in the DVR, and the more likely the video file will be protected in case of an incident. For Details, please refer to G-sensor Function on page 7.
G-sensor Y Sensitivity	Close / Low / Middle / High	
G-sensor Z Sensitivity	Close / Low / Middle / High	

Setup	Menu Item	Remark
Key Light	Auto / Open / Close	To set the key light (button back-light) function. When set to "Auto" and the LCD screen is on, key light will be on. When the LCD screen is off, key light will be off. The LCD screen can be turned off by manually selecting the "Up" button or via the menu setting "Power Off Screen". The LCD screen can be activated by pressing any button. When the key light is set to "Open", the key light will be on all the time after the DVR is powered on. When the key light is set to "Close", the key light will be off all the time.
Beep Sound	High / Low / Off	To set the button sound.
Choose Card	Outer Card / Inner Card	Choose "Outer card" for the video/picture file to be stored on the outer card (Micro SD). In playback mode, the LCD display will show outer card video/picture. Choose "Inner card" for the video/picture file to be stored in inner card (internal memory). In playback mode, the LCD display will show inner card video/picture.
Language	English / Russia / Czech / Polish / Chinese	To set Language.
Default Setting	No / Yes	This function will reset all settings on the device to default factory settings.
Format	No / Yes	Select "Inner card" (Internal Memory) or "Outer card" (Micro SD), "Format" and "yes" to format your storage.

b) In Playback Mode

Delete File	No / Only This / All	Select to delete files.
Format	No / Yes	Select "Inner card" (Internal memory) or "Outer card" (Micro SD), "Format" and "yes" to format your storage.
Auto Play	Off/ On	If selected, in video playback mode, the video will automatically play one after another. In picture playback mode, the picture will automatically play one after another.
Copy to Another Card	No / Yes	Permits copying of the current video to another storage location. For example, if the current card selected is "Outer card" (Micro SD), once this option is selected the current video will be copied to the "Inner card" (Internal memory).
Choose Card	Inner Card / Outer Card	Choose playback from "Inner card" (Internal memory) or "Outer card" (Micro SD).

Connection

a) Connecting to a TV

The DVR can output the video to Video equipment (TV or Monitor) for playback or to adjust settings.

1. Insert Micro SD card to DVR.
2. Connect HDMI cable to the video equipment (TV or Monitor) and the DVR.
3. Ensure DVR is powered on and in Standby mode.
4. Adjust the input of the video equipment to HDMI.
5. Installation completed.

Note: When connecting with a TV, the DVR LCD screen will automatically shut off.

b) Connect to Computer

1. Insert Micro SD card to DVR.
2. Ensure DVR is powered on and in Standby mode.
3. Connect USB cable to DVR and computer, "USB connection" will be shown on screen, and "removable disk" will be shown on computer.
4. Open the device "removable disk" on your computer to view files.
5. Select files to replay picture file or video file.
6. Protected files or files copied from another card will be stored in a specific folder named "999PROTE".

Product Specification

Camera	Resolution	2MB
	View Angle	110° in 1080P
Video	Standard	Mov file, H.264 Compression
	Resolution	1920 x 1080 @ 30fps 1280 x 720 @ 30fps
Audio		Built-in Microphone, can be turned off by menu or button
Still Image		2560 x 1440 2304 x 1296 1920 x 1080 1280 x 720
LCD		2.7" LCD Display
G-Sensor		When a heavy hit is encountered the device will automatically protect the latest files for future reference so they can't be deleted.
Other Function		External Card Slot
		Lighting Keyboard for Night Operation
		Uninterrupted Cycle Recording: Over-write first file if memory is full, no interruption between Video File
		File Protection Function: Once File is protected, it cannot be deleted during further cycle recording
		Automatically records after Car is powered on
SD card Slot		Supports up to 32GB Micro SD card
OSD Language		English / Russian / Czech / Polish / Chinese

Interface	USB	USB 2.0
	AV Terminal	HDMI
Battery	Built-in 400 mAh Battery	
Power	12-24V Car Charger	
Colour	Black	
Size	103 x 51 x 40 mm	

