

# kapture

## IN-CAR HD Digital Video Recorder



## USER MANUAL

KPT-250

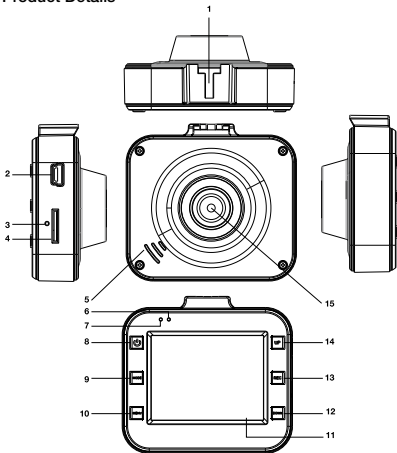
parkmate **HD**

In order to ensure better use of each function of your Kapture In-Car HD DVR, it is recommended that you read these product instructions carefully before using this product.

**Note:**

1. Please abide by the relevant laws in your local area; please do not use this product for illegal purposes.
2. Please insert your Micro SD (up to 32GB) memory card before recording video
3. Please install the memory card in the correct orientation in order to avoid damage to the card or the DVR.
4. To avoid losing important footage, it is suggested that you back-up footage on a weekly basis to your computer.
5. Please ensure the windscreen mounting bracket is installed securely to avoid damaging the DVR.
6. Battery charge will diminish over time. If the DVR is not used for a long period of time, please ensure the DVR is charged fully before use.
7. The working temperature of the DVR is 0 to 40 degrees Celsius.
8. Please do not leave the DVR in an excessively humid environment as it is not water resistant.
9. Please avoid shooting footage directly into the sun so as to avoid damage to the DVR.
10. Please avoid using the DVR in an excessively dusty environment so as to not obstruct the camera lens.
11. The lens can be cleaned by wiping gently with a soft glass cleaning cloth.
12. This DVR is a precision electronic product; please do not expose it to strong shock, vibration, magnetic fields or heavy current fields.

## A. Product Details



- |                        |  |
|------------------------|--|
| 1. Bracket receiver    | 9. Mode button                             |
| 2. USB port            | 10. Menu button                            |
| 3. Reset button        | 11. LCD Screen                             |
| 4. Micro SD card slot  | 12. Down button                            |
| 5. Speaker             | 13. Start & Stop Record /<br>Select button |
| 6. Operation indicator | 14. Up button                              |
| 7. Power indicator     | 15. Camera Lens                            |
| 8. On/Off button       |  |

## B. Product Accessories:

- Manual
- USB Cable
- Car Mount
- Car Charger



## C. Product Features

- Supports true High Definition resolutions of 1080FHD, 1080p, 720p, 480p and lower
- Built-in microphone and speaker
- Fast initialisation and shut-down
- Fast operation Screen Saver
- Supports high capacity Micro SD cards up to 32GB
- Charge while the DVR is operational
- Automatic Start-Up and Shut-Down
- Motion Detection – works even when you are not in the vehicle
- Takes still images in high definition up to 12MP

## D. Product Operation

### 1. Start-Up and Shut-Down:

- Starting Up Parkmate Kapture KPT-250 DVR:
  - To Start-Up from a powered off state with no charger connected, press & hold for 3 seconds the “On/Off” button. Your DVR will enter into video mode and commence recording video; the flashing green light indicates operation.
  - To Start-Up from a powered off state with the charger connected, your DVR will automatically enter into video mode and commence recording video when your car’s ignition is engaged; the flashing green light indicates operation.
- Shutting Down your Parkmate Kapture KPT-250 DVR:
  - To Shut-Down from a powered state with no charger connected, quickly press the “On/Off” button.
  - When the charger is connected, your DVR will automatically enter shut down mode after 5 seconds when your car’s ignition is turned off.

- iii. When battery power is insufficient, the DVR screen will shut down and the DVR will automatically save the video file.

## **2. Charging The battery:**

- You can charge the DVR battery by via a USB cable or via the car charger.
- If the DVR is turned off while charging a red light will indicate charging status.
- The red light will turn off once the DVR is fully charged.

## **3. Inserting the Memory Card:**

- Please be careful to insert your Micro SD card according to indicated direction until you hear the card engage.

## **4. Capturing Video:**

- As soon as you press the “Record” button, the DVR will enter into video recording mode and begin capturing video, a flashing green light will indicate operational status.
- To stop the video and save the file, press the “Record” button, a static green light will indicate Standby mode.
- When in Standby Mode, press the “On/Off” button to turn video sound recording on or off.
- When in Standby or Video Recording mode, press the “Up” button to turn the LCD screen off to save battery power.

## **5. Capturing Still Images:**

- Press the “Mode” button to enter Photo mode.
- Press the “Record” button to capture still photos.

## **6. Playback and Delete:**

- When in Standby mode, press the “Mode” button and the DVR enters into Playback mode
- Press the “Up” or “Down” button to select the preview of the file.
- Press the “Record” button to start or stop selected file playback.
- If you wish to delete the selected file, press the “Menu” button to enter the Delete menu.

- Select the option “Delete Current” or “Delete All”
- Press the “Record” button to confirm your selection
- Press the “Menu” button to exit the Delete menu and return to playback mode.

#### **7. SOS function:**

- When in video capture mode, in the case of an incident that occurs in front of your car, press the “Menu” button.
- This will ensure the current recording is saved for later review and will not be overwritten.

#### **8. G Sensor:**

- When in Video Recording mode with G Sensor active, if your vehicle is stopped suddenly by the driver or by external impact, the G Sensor will cause the DVR save the current file.
- The sensitivity of the G Sensor can be set in the main system under Menu choices “High”, “Medium” and “Low” in order to suit the different speed requirements of the user.

#### **9. Motion Detection function:**

- To initiate Motion Detection mode, when in video capture mode press the “Down” button and the DVR will stop loop recording.
- Press the “Down” button again and the DVR will automatically switch to Motion Detection Standby mode.
- Once motion is detected, the DVR will start recording.
- After 8 seconds the DVR will stop recording and return to Motion Detection Standby mode until the next motion has been detected by the DVR.
- Works even when you are not in the vehicle eg: when parked

#### **E. Options and system Settings**

- In standby mode, press the “Menu” button to enter the Settings Menu.
- Press the “Up” or “Down” button to make selections
- Press the “Record” button to confirm selections
- Press the “Menu” button to exit the Settings Menu.

## F. Function Directory

| Image Settings | Mode  | Menu                  | Select Settings  | Remark                                    |
|----------------|-------|-----------------------|--|---|
|                | Video | Resolution            | 1080FHD 1920x1080<br>1080P 1440x1080<br>720P 1280x720<br>WVGA 848x480<br>VGA 640x480   | 25fps<br>25fps<br>30fps<br>30fps<br>30fps |
|                |       | Cycle recording       | Off / 30 seconds / 1min<br>/ 2mins   |   |
|                |       | Exposure Compensation | -+2.0, +5/3, +4/3,<br>+1.0, +2/3, +1/3, +0.0,<br>-1/3, -2/3, -1.0, -4/3,<br>-5/3, -2.0 |   |
|                |       | Motion Detection      | Off / On   |   |
|                |       | Video & Audio         | Off / On   |   |
|                |       | Date Label            | Off / On   |   |
|                |       | Record Mode           | Single shooting /<br>2 second timer /<br>5 second timer /<br>10 seconds timer          | Select the time<br>required.              |

| Mode  | Menu                  | Select Settings  | Remark                                  |
|-------|-----------------------|--|---|
| Photo | Resolution            | 12M 4032 x 3024<br>10M 3648 x 2736<br>8M 3264 x 2448<br>5M 2592 x 1944<br>3M 2048 x 1536<br>2M 1920 x 1080<br>1.3M 1280 x 960<br>VGA 640 x 480 | Higher resolution<br>= larger file size |
|       | Continuous Shooting   | Off / On   |   |
|       | Image Quality         | High quality / Standard / Economy  |   |
|       | Sharpness             | Strong / Standard / Soft   | Each setting may change image effects   |
|       | White Balance         | Auto / Daylight<br>Cloudy / Tungsten Lamp<br>/ Fluorescent Lamp  | Each setting may change image effects   |
|       | Colour                | Colour / Black & White<br>/ Tan  | Each setting may change image effects   |
|       | ISO                   | Auto / 100 / 200 / 400   | Each setting may change image effects   |
|       | Exposure Compensation | +0.0, -1/3, -2/3, -1.0,<br>-4/3, -5/3, -2.0, +2.0,<br>+5/3, +4/3, +1.0, +2/3,<br>+1/3  | Each setting may change image effects   |
|       | Face Recognition      | Off / Face / Smile<br>Recognition  |   |
|       | Anti-Shake            | Off / On   |   |
|       | Quick Preview         | Off / 2 seconds /<br>5 seconds   |   |
|       | Date Label            | Off / On   |   |



| Image Settings | Mode      | Menu       | Select Settings                                       | Remark |
|----------------|-----------|------------|---|--------|
|                | Play Back | Cancel     | Delete Current / Delete All                           |        |
|                |           | Protection | Lock Current / Unlock Current / All Lock / Unlock All |        |
|                |           | Slide Show | 2 seconds / 5 seconds / 8 seconds                     |        |

| System Settings | Menu                 | Select Settings   | Remark                           |
|-----------------|----------------------|---|----------------------------------|
|                 | Date/Time            | MM/DD/YY, DD/MM/YY, YY/MM/DD  |                                  |
|                 | Automatic Shut-down  | Off / 1 min / 3 mins  |                                  |
|                 | Key Sound            | Off / On  |                                  |
|                 | Fill Light           | Off / On  | Use "Up" button to turn On / Off |
|                 | Language             | English / French / Spanish Portuguese / German Italian / Simplified Chinese Traditional Chinese / Russian / Japanese / Korean |                                  |
|                 | TV Mode              | NTSC / PAL  |                                  |
|                 | Optical Frequency    | 50Hz / 60Hz   |                                  |
|                 | Format               | Micro SD Card   |                                  |
|                 | Default Settings     | Restore Default Settings / Cancel / OK  |                                  |
|                 | Automatic Off-Screen | Off / 1 min / 2 mins / 5 mins   | Use "Up" button to turn On / Off |
|                 | G-sensor             | Off / Low / Medium / High   |                                  |

## **G. Connecting DVR to PC for Download of Video and Photo Data:**

- When the DVR is connected via the USB cable to a computer, the camera's red power light turns on
- The LCD screen will display Menu Setting Options: "Mass Storage / PC Camera".
- When "Mass Storage" is selected, the screen will turn black and the computer will automatically identify "Removable Disk". Use your computer to browse and manage files.
- When "PC Camera" is selected, the DVR can be used as web cam.
- Once connection with your PC is complete, press the "On/Off" button and unplug the USB cable.
- When the data cable or car charger is connected to charge the DVR, a long pulse red light is displayed. A constant red light indicates the DVR is fully charged.

## **H. Note**

- If the DVR is incorrectly operated, you can press the "On/Off" button for more than 5 seconds to Shut Down.
- You can also RESET the DVR using a paper clip or small thin object.

## I. Product Specification

|                             |   |
|-----------------------------|---|
| <b>Screen</b>               | 2.0" TFT screen   |
| <b>Imaging Sensor</b>       | 1.0MP   |
| <b>Lens</b>                 | 120 degree HD wide-angle lens   |
| <b>Camera Rotation</b>      | 180° degree   |
| <b>Minimum</b>              | 1 Lux   |
| <b>Video Resolution</b>     | 1080P / 720P / 480P   |
| <b>Video Format</b>         | AVI / MJPG  |
| <b>Frames</b>               | 30 fps  |
| <b>Image Resolution</b>     | 12M / 10M / 8M / 5M / 3M / 2M / VGA / 1.3M  |
| <b>Photo Format</b>         | JPG   |
| <b>Motion Detection</b>     | Supported   |
| <b>Cycle Recording</b>      | Off / 30 sec. / 1 min. / 2 min.   |
| <b>Memory Card Type</b>     | Micro SD Card (up to 32GB)  |
| <b>Capacity</b>             | Support up to 32GB / Class 6-10   |
| <b>USB Port</b>             | USB 2.0   |
| <b>Power Port</b>           | USB 5V / 500mA  |
| <b>Current Frequency</b>    | 50Hz / 60Hz   |
| <b>Battery Capacity</b>     | 350 mAh   |
| <b>Microphone / Speaker</b> | Built-In  |
| <b>Language</b>             | English / German / French / Spanish / Italian / Simplified Chinese / Traditional Chinese / Japanese / Portuguese / Russian / Korean |

**Please Note:** We do our best to reflect accurate specifications, however periodic updates and changes may occur after this manual was printed. We reserve the right to change the parameters without prior notification.

## Warranty Terms & Conditions

Our goods come with guarantees that cannot be excluded under the Australian Consumer Law. You are entitled to a replacement or refund for a major failure and for compensation for any other reasonably foreseeable loss or damage. You are also entitled to have the goods repaired or replaced if the goods fail to be of acceptable quality and the failure does not amount to a major failure.

This warranty is provided in addition to your rights under the Australian Consumer Law.

Directed Electronics warrants that this product is free from defects in material and workmanship for a period of 12 months from the date of purchase or for the period stated on the packaging. This warranty is only valid where you have used the product in accordance with any recommendations or instructions provided by Directed Electronics.

This warranty excludes defects resulting from alterations of the product, accident, misuse, abuse or neglect.

In order to claim the warranty, you must return the product to the retailer from which it was purchased or if that retailer is part of a National network, a store within that chain, along with satisfactory proof of purchase. The retailer will then return the goods to Directed Electronics. Directed Electronics will repair, replace or refurbish the product at its discretion. The retailer will contact you when the product is ready for collection. All costs involved in claiming this warranty, including the cost of the retailer sending the product to Directed Electronics, will be borne by you.

**Directed Electronics Address:** 44 Translink Drive, Keilor Park Victoria 3042

**Ph:** +61 03 8331 4800

**Email:** [returns@directed.com.au](mailto:returns@directed.com.au)

**parkmate** 

[www.parkmate.com.au](http://www.parkmate.com.au)



**DIRECTED.**

AUSTRALIA

[www.directed.com.au](http://www.directed.com.au)